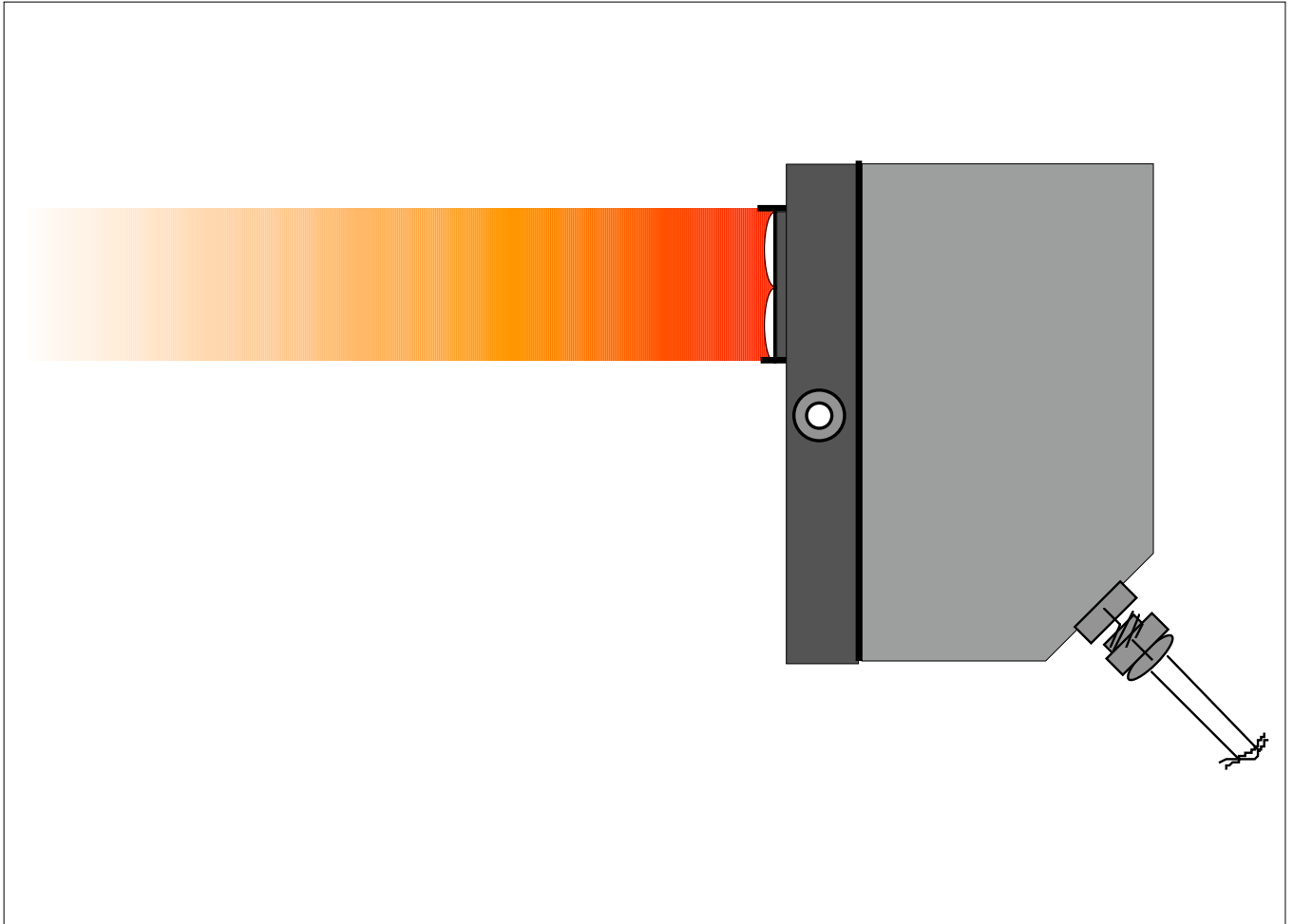


Multi-features light barrier

MFL



Operation with reflecting and non-reflecting (diffuse) objects

0m - 15m range

Digitally adjustable releasing / closing dilatation of relay

Automatic adjustment

Immune to interferences

IP 65

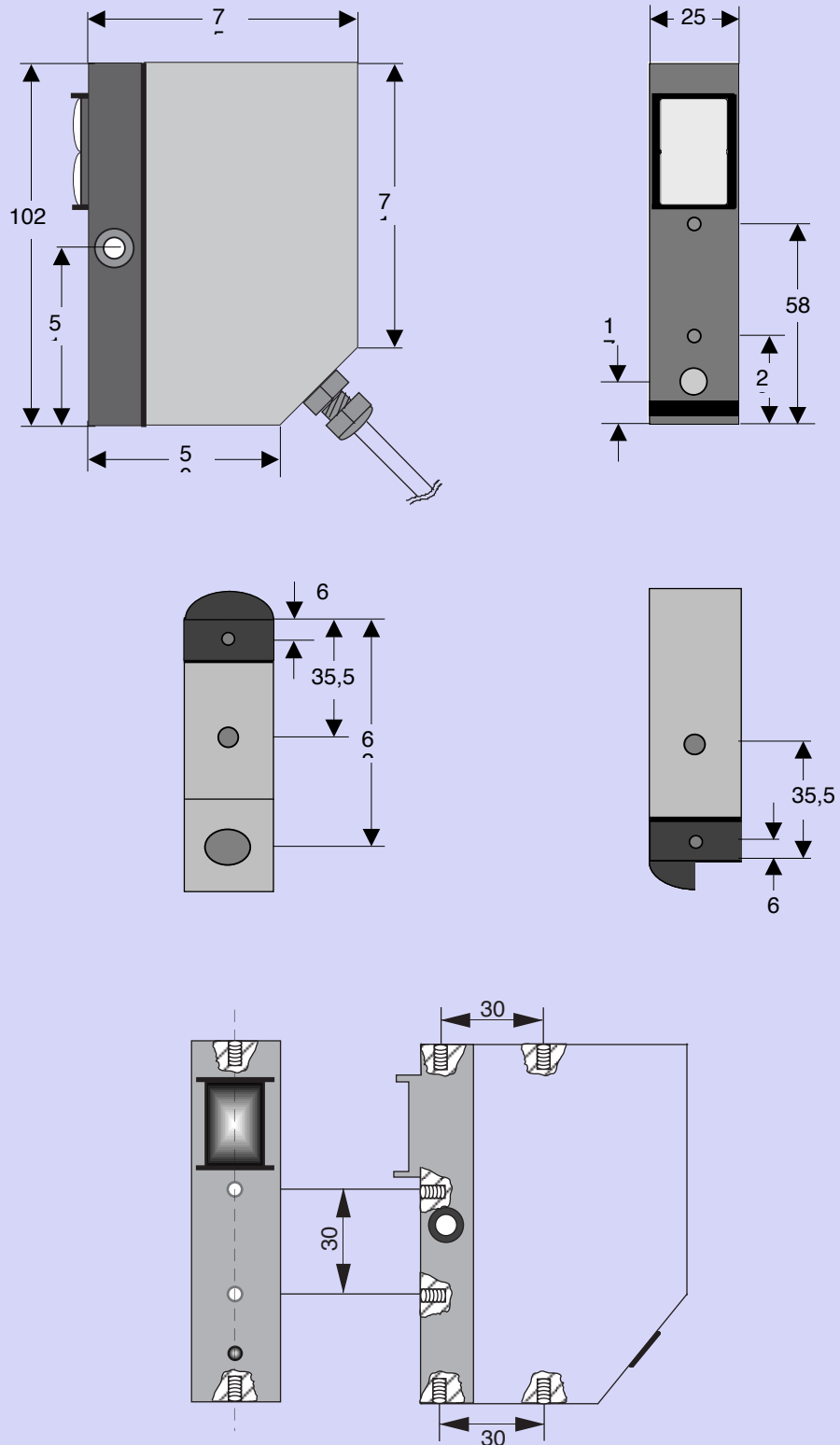


DIN EN ISO 9001
Rec.Nr. 96007



Dimensions

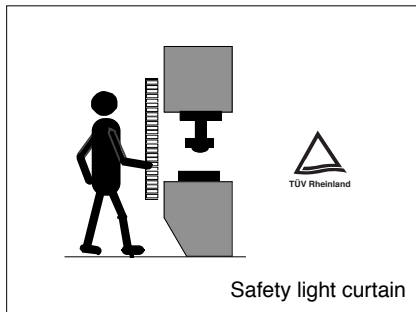
MFL



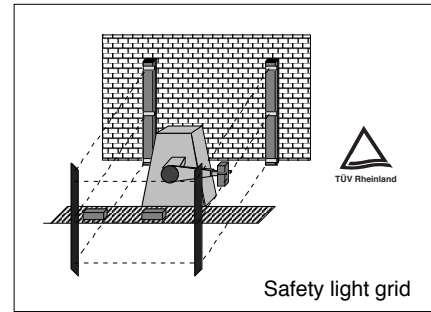
mounting: M4 straddling dowel on three housing walls, one through-bore for screws M6

Delivery program

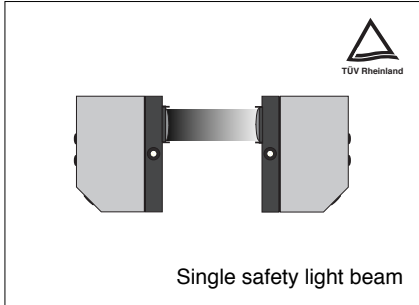
Fiessler Elektronik
 Kastellstr. 9 D-73734 Esslingen
 Telefon: 0711 / 91 96 97-0
 Telefax: 0711 / 91 96 97-50
 WWW.fiessler.de
 E-Mail: info@fiessler.de



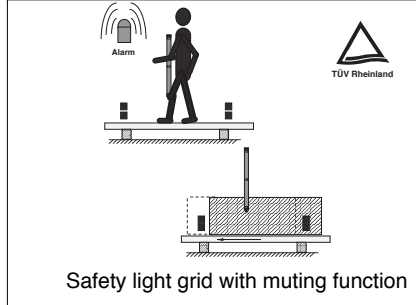
Safety light curtain



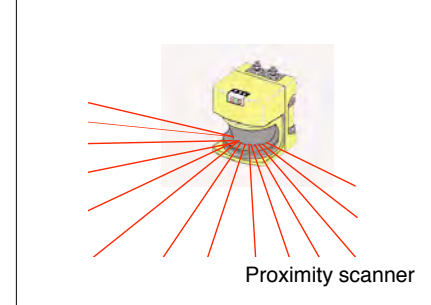
Safety light grid



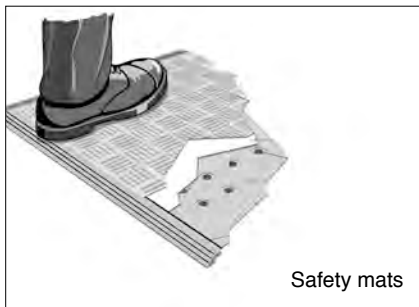
Single safety light beam



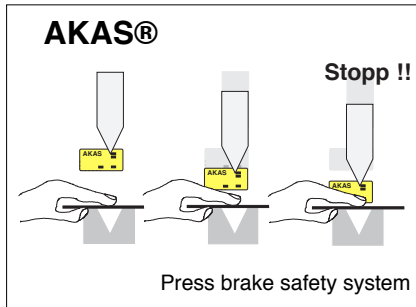
Safety light grid with muting function



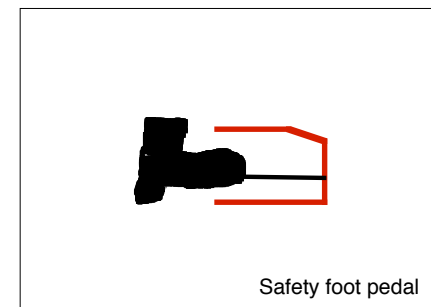
Proximity scanner



Safety mats



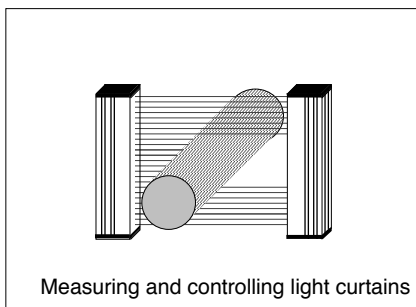
Press brake safety system



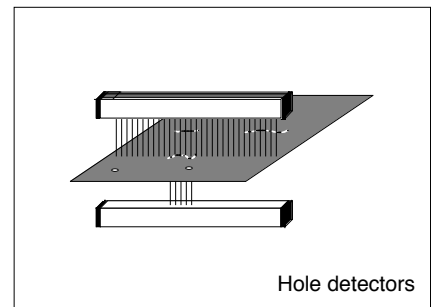
Safety foot pedal



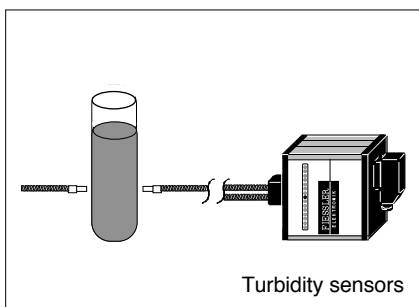
Safety PLC
 Safety controllers



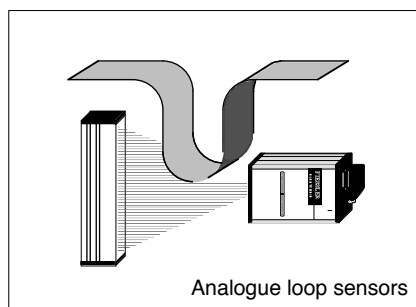
Measuring and controlling light curtains



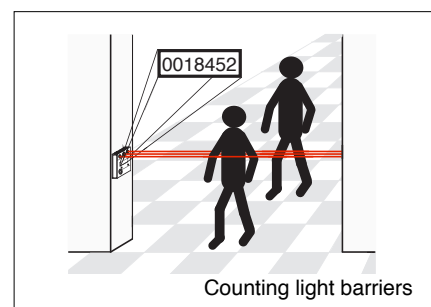
Hole detectors



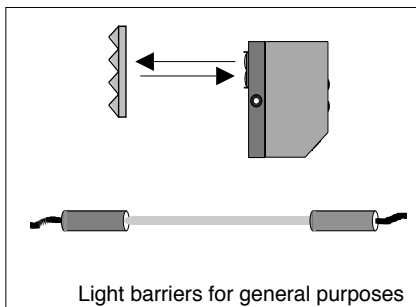
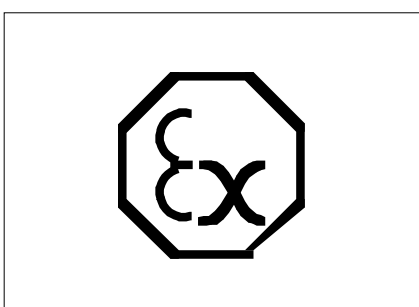
Turbidity sensors



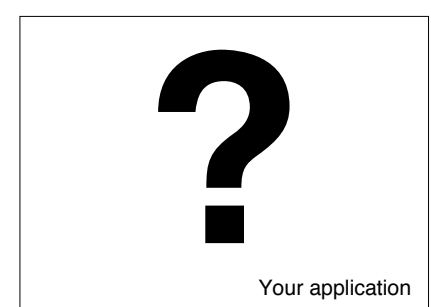
Analogue loop sensors



Counting light barriers



Light barriers for general purposes



Your application