

## Application

The contact extension FMSC-R / 2R is used for extension, Contact amplification and galvanic isolation of electronic Safety outputs (OSSDs).

This allows to switch different potentials and electric circuits, even with high loads.

The device offers depending on the type:

- FMSC-R offers a relay function according to PL e according to ISO 13849-1.
- FMSC-2R offers two relay functions according to PL e according to ISO 13849-1.

3 NO contacts are provided per relay function, In addition, there is an NC contact for monitoring.

## Scope of operation

- Integration of electronic safety outputs into other potentials, without loss of safety
- 1 or 2 safety circuits each with 3 undelayed positively driven safety contacts
- Feedback circuit for relay monitoring at the control unit
- Diagnostic LEDs for the switching status of the safety contacts

## Product recommendation

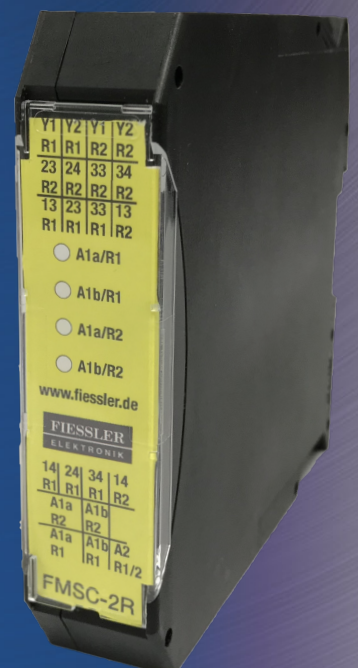
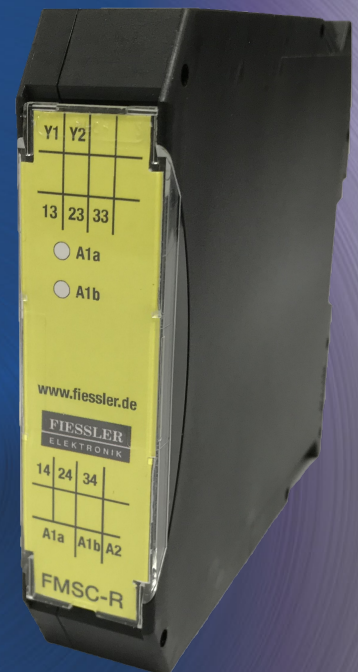
Suitable accessories for safe contact expansion FMSC-R

can be found at

[www.fiessler.de](http://www.fiessler.de)

## FMSC-R/2R

safe  
contact extension





## Technical specification

Power supply	24V DC
Tolerance range	18 ... 30,0 V DC max. 10% voltage ripple
Output contact	safety contact: 3 / 6
Braking capacity at 240V AC 13 14, 23 24	Imin: 0,01A, Imax: 8A resistive
Braking capacity at 160V AC 33 34	Imin: 0,01A, Imax: 8A resistive
Braking capacity at 24V DC 13 14, 23 24, 33 34	Imin: 0,01A, Imax: 8A
Recommended external Supply circuit fuse	T1,0A
Recommended external break contact fuse	8A slow

## Times

Trigger time	12 ms
Fall time	8 ms

## mechanical specification

Terminal connection	screw type
Design size (hxbxt) without connectors	114,5mm x 22,5mm x 99mm
Installation on top hat rail	DIN 50 022
weight (without connectors)	130g
Operating temperatur	-40°C...+80°C
Mechanical lifetime	>20 x 10 <sup>6</sup>

## Operation modes

Input circuit	FMSC-R	FMSC-2R
Safety controller FMSC		
safety devices like Light curtains from ULxT and BLxT series		

Feedback circuit	FMSC-R	FMSC-2R
Ixx are inputs of the safety device that monitor the feedback loop.		

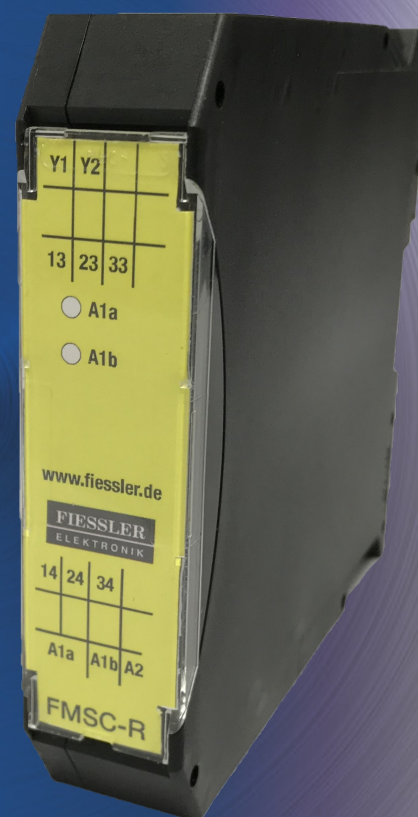
# FISSLER

## ELEKTRONIK

# FMSC-R / 2R

## safe contact extension

### technical data





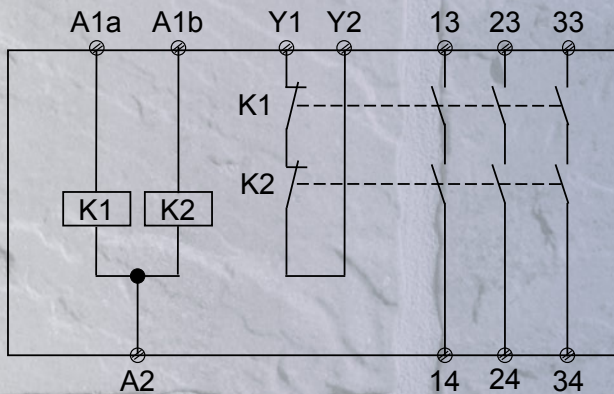
## Features and benefits

## FMSC-R

- One relay function PL e according to ISO 13849-1.
- 3 NO contacts and 1 NC contact
- 2 diagnostic LEDs

## Block diagram

## FMSC-R



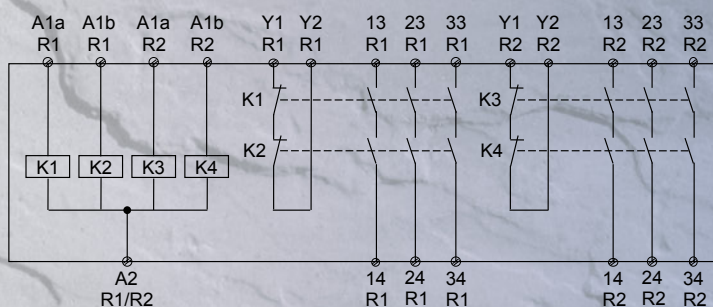
## Features and benefits

## FMSC-2R

- Two relay functions PL e according to ISO 13849-1.
- Each channel: 3 NO contacts and 1 NC contact
- 2 diagnostic LEDs

## Block diagram

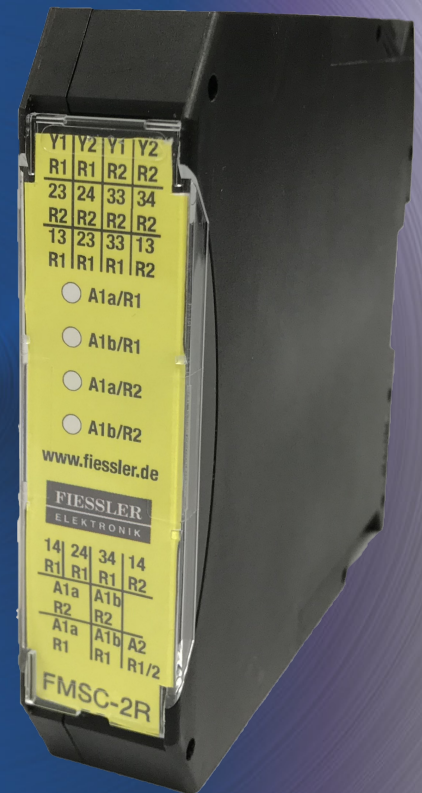
## FMSC-2R



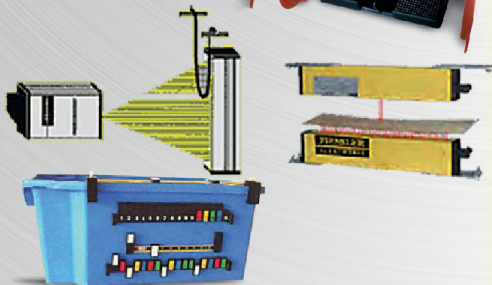
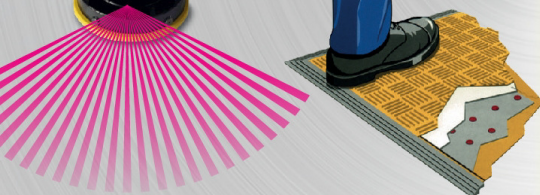
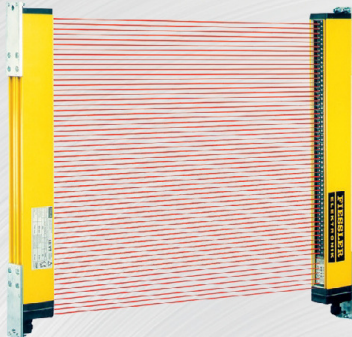
**FISSLER**  
ELEKTRONIK

# FMSC-R / 2R safe contact extension

technical data







## Innovative solutions

### Safety light curtains

Type 4, SIL 3, PL e  
high range up to 60 m  
Very short response time as of 2 ms  
Blanking and cascading

Type 2, SIL 1, PL c  
Protective field height up to 2500 m  
Finger and hand guard, entrance protection  
Safety controller integrated

### AKAS® press brake safety system

fully automatic adjustment after tool change  
laser-optics safety light grid

innovative finger guard through continuous bending without stop

### FMSC safety PLC

Emergency shutdown (fast shut down) max. 0.5 ms  
Expandable with up to 16 expansion modules

Easiest programming  
Cat 4, SIL 3, PL e

### Safety contact mats

Type 3, SIL 2, PL d  
Series connection of up to ten mats  
Load capacity up to 2000N  
single component casting also in several colors

individual sizes and shapes  
Polyurethane, aluminum or Stainless steel surface  
with integrally cast ramp rail available

### Safety laser scanner

Cat 3, SIL 2, PL d  
Protective field 4 m, range 7 m  
Metering section 50 m range

Easy assembly  
Warning field 15 m  
Several programmable sections

### Safety foot pedals

Single-pedal or double-pedal

### Controlling, detecting and measuring

Measuring light curtains  
Loop sensors  
Directional counting light barriers

Hole detectors  
Encoding strips