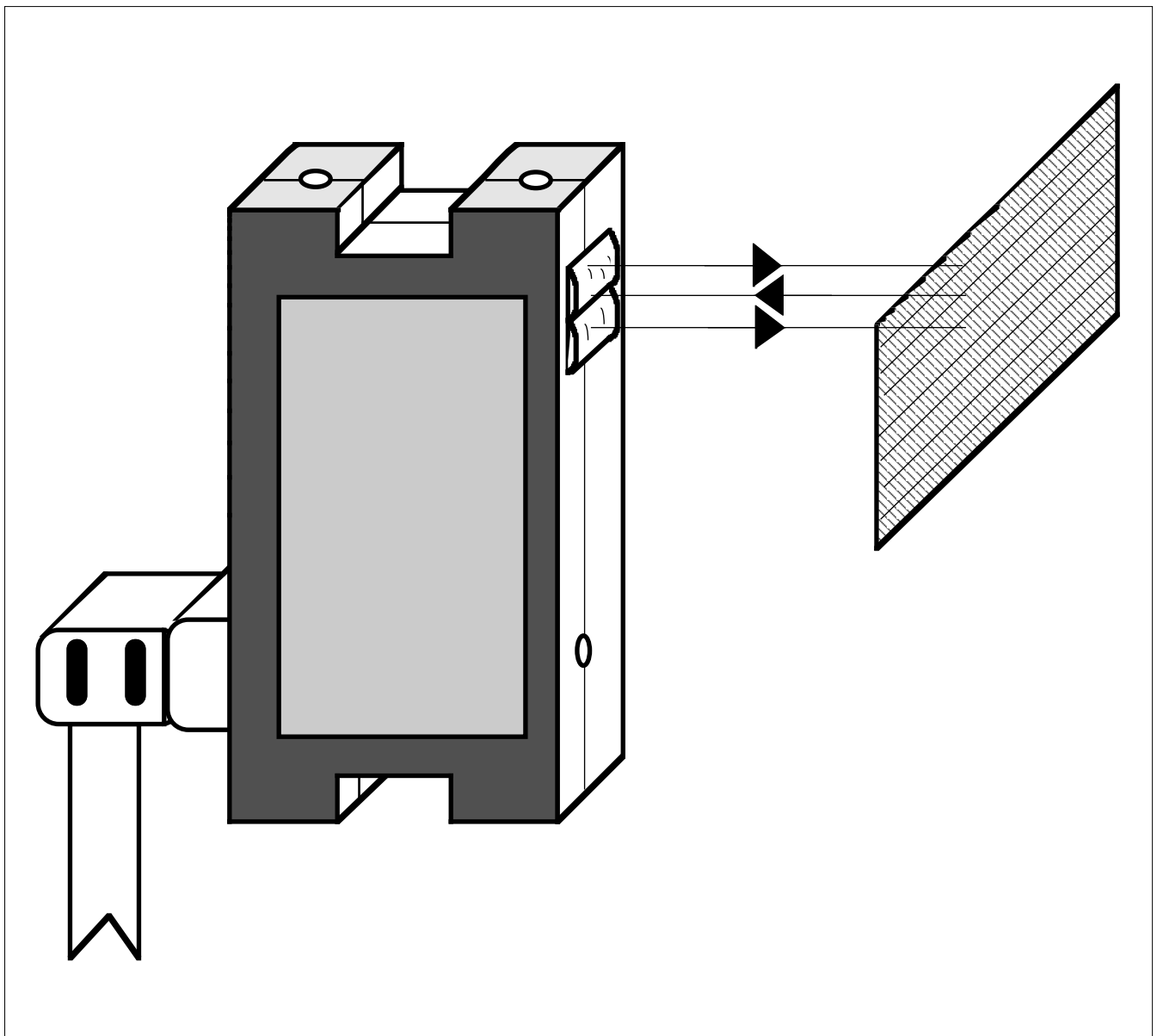


Reflex- and Muting light barriers

GR



Slim design - long range

Flexible application - variable mounting

Integrated switching unit

Light - or dark switching

With cable or M12 plug connection



DIN EN ISO 9001
Reg.Nr. 96007



GR with M12 connector suitable for Muting controller PLSG

Type:	GR5/24RM12 GR5/24TM12	
	M12 angle plug (W) or M12 straight plug	
Max. detection range up with reflector 100 x 100:	5 m	5 m
Max. detection range up with Scotchlite 10 x 24:		
Connection voltage:	24 V DC	24 V DC
No-load current:	40 mA	40 mA
Type of light:	infrared	infrared
Pulse frequency:	1 kHz	1 kHz
Output:	Relay	Transistor
Max. tension:	30 V DC	30 V DC
Short circuit proof:	no	yes
PNP:		yes
Max. switching frequency:	20 Hz	500 Hz
Operation indication:	yes	yes
Cable connection:	M12 plug	M12 plug
Housing:	PA 6	PA 6
Operation ambient temperature:	0°C - 50°C	0°C - 50°C
Protection category:	IP 60	IP 60
Switching unit:	integrated	integrated
Weight:	150 g	50 g
Application:	Muting sensor PLSG	Muting sensor PLSG

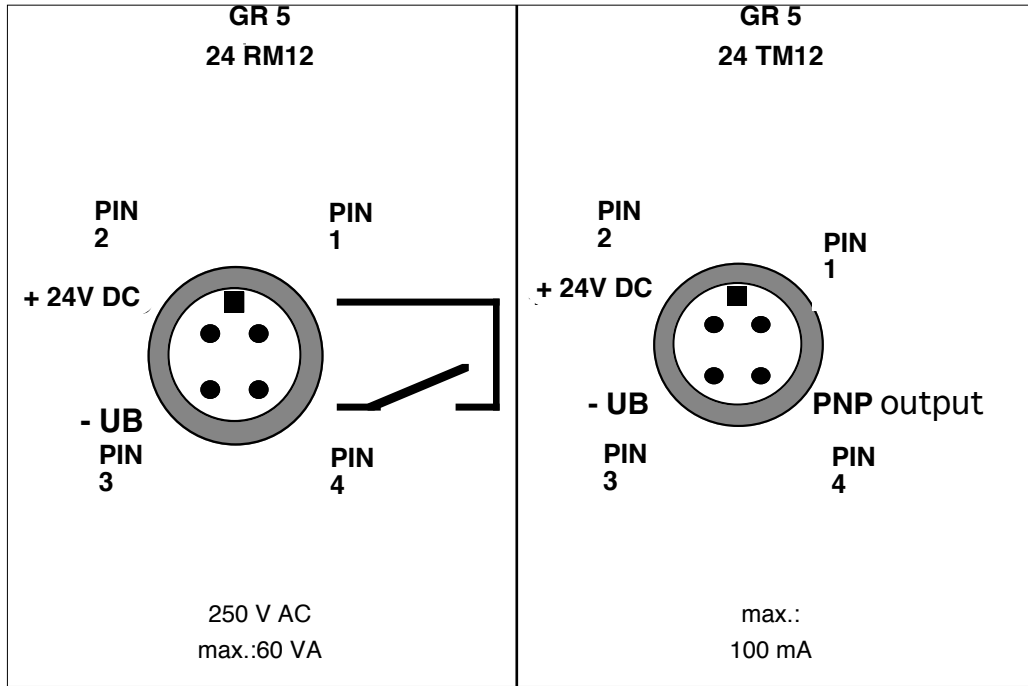
Type:	GR 3 220	GR 5 24	GR 5 24 T	GR 50 24	GR 100 24	GR 150 24
Max. detection range up with reflector 100 x 100:	3 m	5 m	5 m			
Max. detection range up with Scotchlite 10 x 24:				20 - 80 mm	75 - 125 mm	80 - 200 mm
Connection voltage:	230 V AC	24 V DC	24 V DC	24 V DC	24 V DC	24 V DC
No-load current:	5 mA	40 mA	40 mA	40 mA	40 mA	40 mA
Type of light:	infrared	infrared	infrared	infrared	infrared	infrared
Pulse frequency:	50 Hz	1 kHz	1 kHz	15 kHz	15 kHz	15 kHz
Output:	Relay	Relay	Transistor	Transistor	Transistor	Transistor
Max. tension:	250 V AC	30 V DC	30 V DC	30 V DC	30 V DC	30 V DC
Short circuit proof:		no	yes	yes	yes	yes
PNP:			yes	yes	yes	yes
Max. switching frequency:	10 Hz	20 Hz	500 Hz	1 kHz	1 kHz	1 kHz
Operation indication:	yes	yes	yes	yes	yes	yes
Cable connection:	fix cable	fix cable	plug-in cable	plug-in cable	plug-in cable	plug-in cable
Housing:	PA 6	PA 6	PA 6	PA 6	PA 6	PA 6
Operation ambient temperature:	0°C - 50°C	0°C - 50°C	0°C - 50°C	0°C - 50°C	0°C - 50°C	0°C - 50°C
Protection category:	IP 60	IP 60	IP 60	IP 60	IP 60	IP 60
Switching unit:	integrated	integrated	integrated	integrated	integrated	integrated
Weight:	150 g	150 g	50 g	50 g	50 g	50 g
Application:		Muting sensor PLSG-K FPSC etc...	Muting sensor PLSG-K FPSC etc...	e.g.: codification system by reflecting	e.g.: codification system by reflecting	e.g.: codification system by reflecting

Type:

Electrical connection:



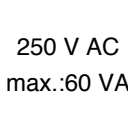
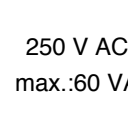
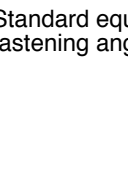
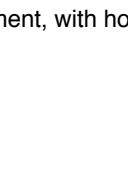
Electrical power:

Cable colour:



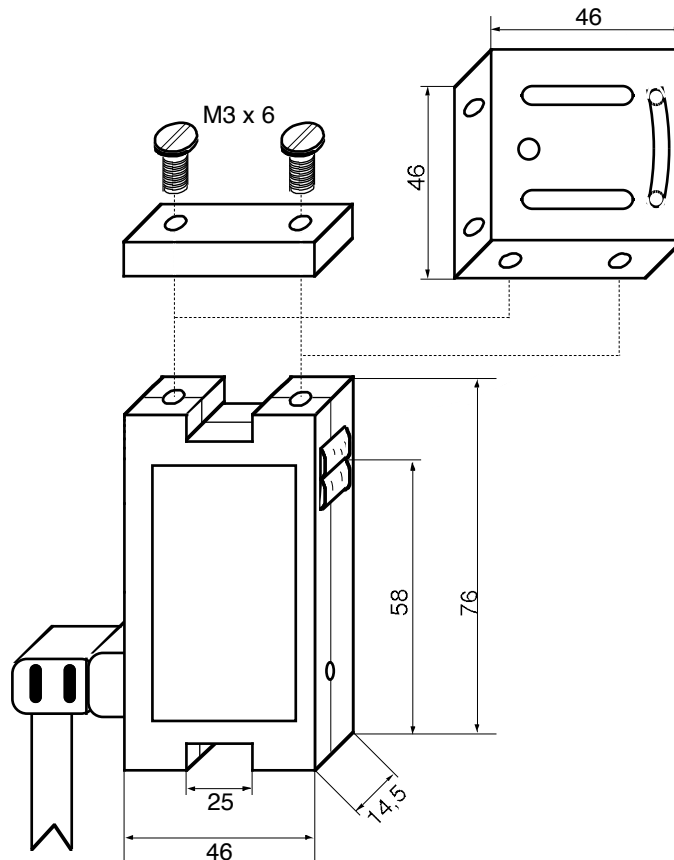
prefabricated M12 cable	Kabel for self assembling
PIN1 = white	PIN1 = white
PIN2 = brown	PIN2 =brown
PIN3 = blue	PIN3 = green
PIN4 = black	PIN4 = yellow

GR with M12 connector suitable for Muting controller PLSG

Type:	GR 3 220	GR 5 24	GR 5 24 T	GR 50 24	GR 100 24	GR 150 24
Connection:						
brown:	230 V AC	+24 V DC	+24 V DC	+24 V DC	+24 V DC	+24 V DC
green:	230 V AC	-Ub	-Ub	-Ub	-Ub	-Ub
white:			PNP / NPN output	PNP / NPN output	PNP / NPN output	PNP / NPN output
grey:			PNP / NPN output	PNP / NPN output	PNP / NPN output	PNP / NPN output
yellow:			PNP / NPN output	PNP / NPN output	PNP / NPN output	PNP / NPN output
power:	250 V AC max.:60 VA	250 V AC max.:60 VA	max.: 100 mA	max.: 100 mA	max.: 100 mA	max.: 100 mA

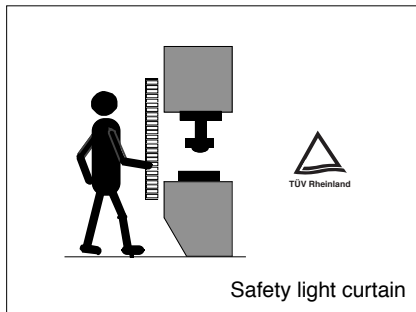
Fastening: Standard equipment, with holder of fastening to square profile, optionally available with universal fastening angle:

Dimension:

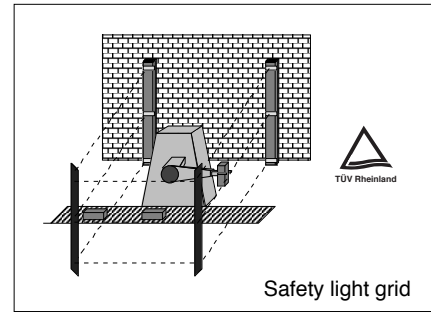


Delivery program

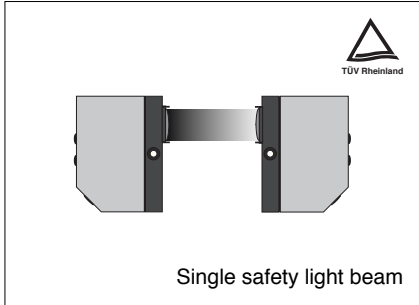
Fiessler Elektronik
 Kastellstr. 9 D-73734 Esslingen
 Telefon: 0711 / 91 96 97-0
 Telefax: 0711 / 91 96 97-50
 WWW.fiessler.de
 E-Mail: info@fiessler.de



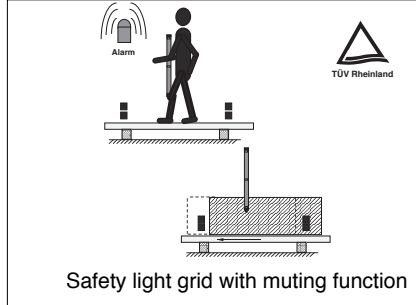
Safety light curtain



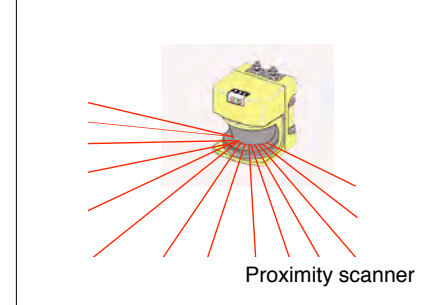
Safety light grid



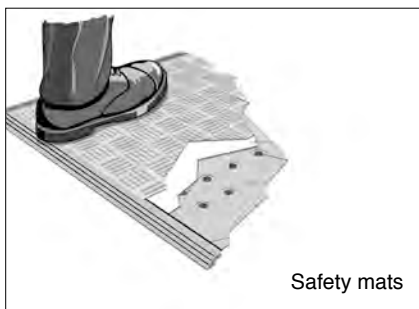
Single safety light beam



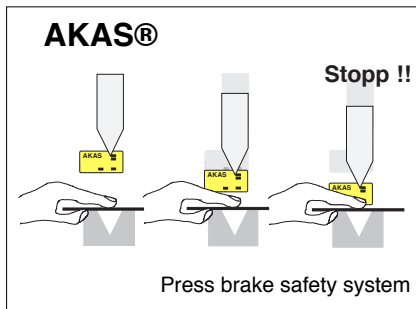
Safety light grid with muting function



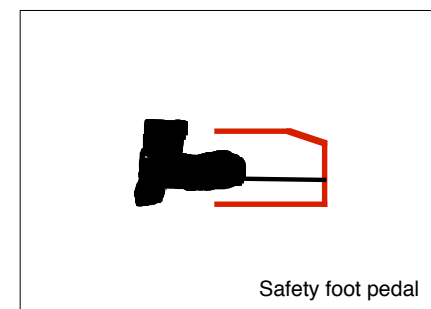
Proximity scanner



Safety mats



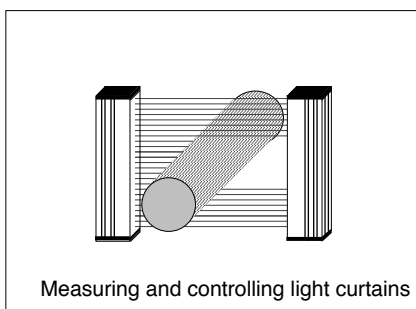
Press brake safety system



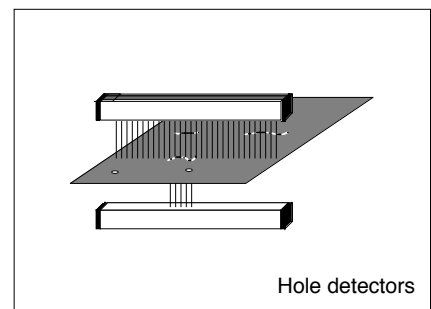
Safety foot pedal



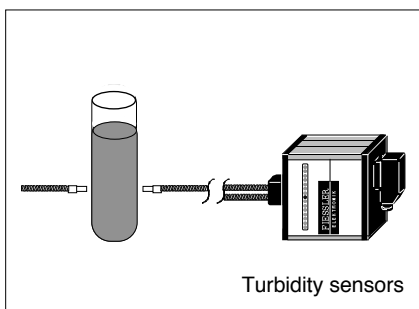
Safety PLC
 Safety controllers



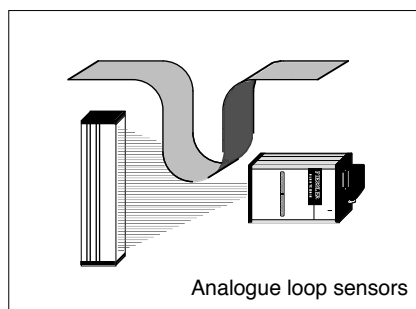
Measuring and controlling light curtains



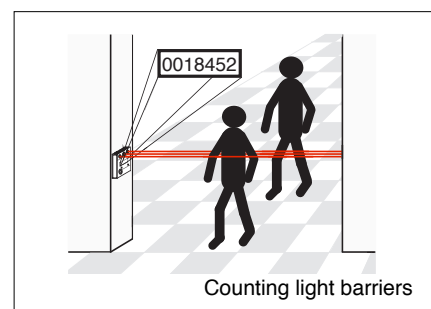
Hole detectors



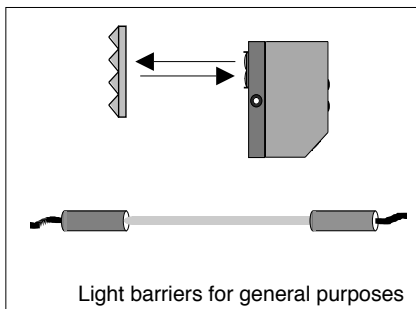
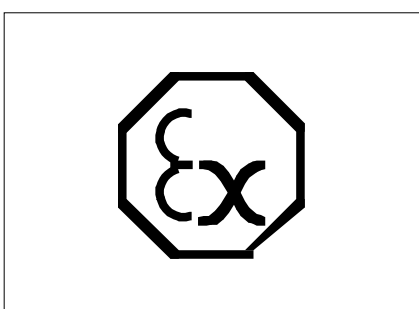
Turbidity sensors



Analogue loop sensors



Counting light barriers



Light barriers for general purposes



Your application