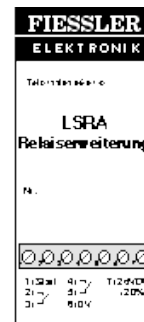


### Snap-on relay outputs LSRA Snap-on relay outputs LSRA-T



#### Snap-on potential-free relay outputs

LSRA for the use of safety light curtains ULVT and BLVT

LSRA-T for the use of safety light curtains TLVT and ILVT

Easy-to-install serial connections with other safety sensors

Enables the connection to common safety bus nodes

Provides the solution for cost-saving serial connections

Offers high switching performance

No more additional switching units required



DIN EN ISO 9001  
Reg.Nr. 96007



optional



Typ 4  
EN 61496

Typ 2  
EN 61496



#### Application

The standard safety light barriers of the ULVT / BLVT and TLVT / ILVT series are equipped with electronical semiconductor outputs.

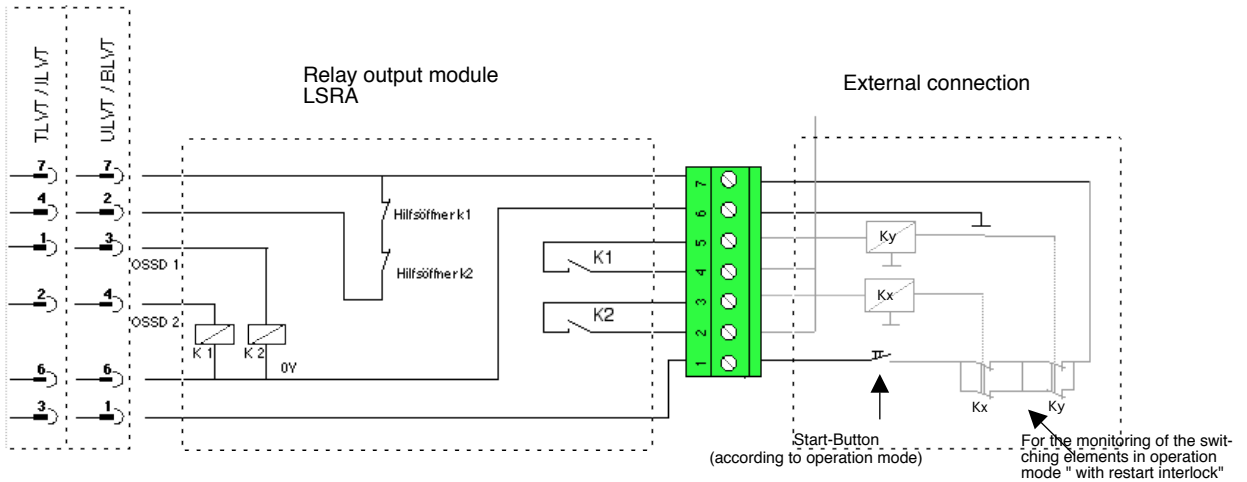
In order to directly connect the barriers to the outputs using higher currents, i.e. higher voltages, the snap-on relay output module LSRA / LSRA-T has been developed.

Both potential-free relay outputs of the LSRA / LSRA-T provide an easy-to-install serial connection of several safety light barriers or safety sensors.

By the use of the snap-on relay output module LSRA, the safety light barriers of the ULVT and BLVT series can be connected to a multitude of safety bus nodes.

By the use of the snap-on relay output module LSRA-T, the safety light barriers of the TLVT and ILVT series can be connected to a multitude of safety bus nodes.

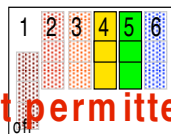
#### Connection diagram



The cable layout of the cables between the terminals 2, 3, 4, 5, must be arranged in a way that there is no possibility of the conductors' short circuiting. Therefore all unprotected cables have to be installed in reinforced hoses and/or in cable channels.

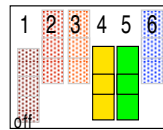
Required selection of operational modes at the receiver of  
ULVT / BLVT  
TLVT / ILVT

**without contactor control**



**not permitted**

**with contactor control**



The operation mode with **contactor control** provides the monitoring of the Relay Output Module LSRA / LSRA-T.

When operating the Relay Output Module with the ULVT/ BLVT or TLVT/ ILVT, the option "Relay Output Module" must be selected at the receiver head.

#### Technical Data

Maximum load capacity of the potential-free contacts:

5A / 50V

Dimensions in mm:

L: 116, B: 46, H: 70

Weight :

200g

LSRA ---> use with ULVT / BLVT

LSRA - T ---> use with TLVT / ILVT

